

Rubis 55 | 55cm Integrated Cooker Hood Stainless Steel



Features:

- Integrated cook hood
- Extraction Rate: 390m³/h
- Extraction Pressure: 300Pa
- Noise level: 54 - 70dBa
- Variable manual speed settings
- Dishwasher safe metallic grease filter
- Optional carbon filter
- Lightening: 2 x 1W LED globes
- Ducting: 120mm diameter

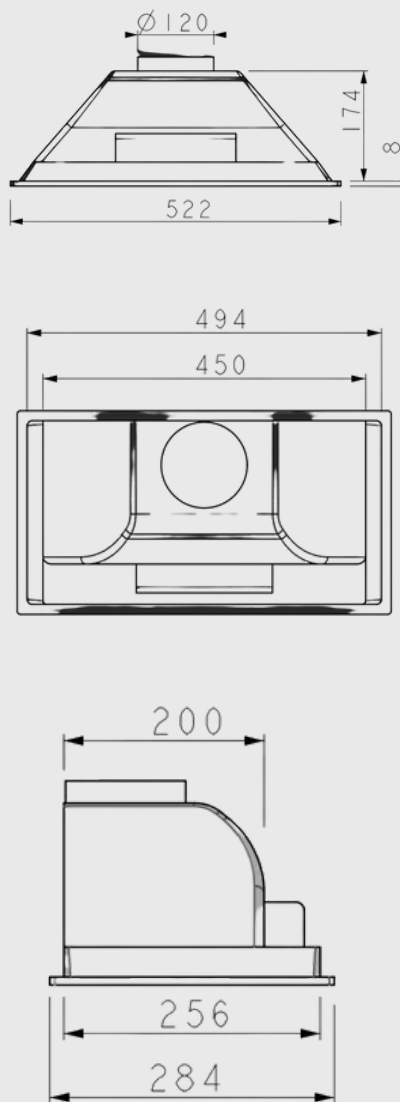
Dimensions:

- Width: 522mm
- Depth: 284mm
- Height: 174mm

Product Code:

- RUBIS 55 [5961387]:
55cm Integrated Cooker Hood -
Stainless Steel

Technical Drawing:



Available in S/Steel:



Optional Extras:

- Carbon Filters [112.0564.564]
RRP: R795,00



Price:
RRP. R3995,00

Symphonie 770 | 77cm Integrated Cooker Hood S/Steel



Features:

- Integrated Cooker Hood
- Stainless Steel
- Nominal Extraction Rate: 660m³/hr
- Extraction Pressure: 580Pa
- Dishwasher Safe Metallic Grease Filters
- Filters
- 1 Aluminium Grease Filters
- Lighting: 2 x 1W Globes
- Back-Lit Electronic Control Panel
- 3 Speed Settings: Variable Control
- Outlet: 150mm
- 3 Year Warranty on Electrical Components

Dimensions:

- Width: 770mm
- Depth: 290mm
- Height: 345mm

Optional Extras:

- Carbon Filters [5403008]
RRP: R925,00
- Flexible Ducting

Product Code:

- **Symphonie 770:**
77cm Integrated Cooker Hood
Stainless Steel

Performance:

	MIN	AVG	MAX	INT
Extraction Rate (m³/hr)	270	400	560	660
Pressure (PA)	430	520	560	580
Watts (W)	150	200	240	250
Noise Level (DB(A))	45	55	60	64

Placement:



With a depth of 29cm and a cutout of 27cm, it will fit into the slimmest cabinets.

Peripheral Suction:



The solid control panel over the grease filters allows for better suction of smoke and odours.

Separate Motor:

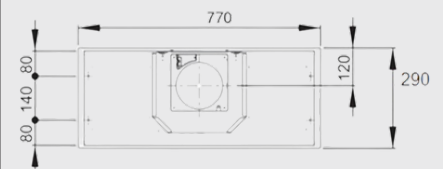
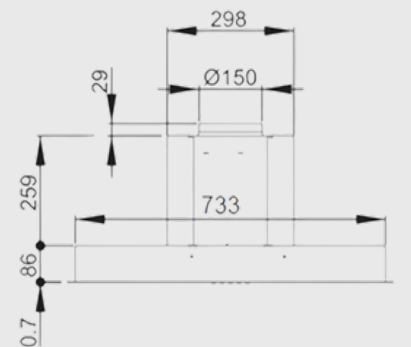


By installing the motor separately or outside, you can enjoy a silent kitchen and noise free area.

Available in S/Steel:



Technical Drawing:



Price:
RRP. R12 495,00



FUNCTION
BOOSTER



SEPARATE
MOTOR



PERIPHERAL
SUCTION



SOUND PRO



ENERGY RATING

Melodie 900 SS | 90cm Integrated Cooker Hood S/Steel



Features:

- Integrated Cooker Hood
- Stainless Steel
- Nominal Extraction Rate: 710m³/hr
- Extraction Pressure: 560Pa
- Dishwasher Safe Metallic Grease Filters
- Filters
- 3 Aluminium Grease Filters
- Lighting: 2 x 1W Globes
- Electronic Control Panel
- 3 Speed Settings: Variable Control
- Outlet: 150mm
- Retractable Glass Fringe: 0° - 140°
- 3 Year Warranty on Electrical Components

Dimensions:

- Width: 898mm
- Depth: 332mm
- Height: 344mm

Cut-Out Dimensions:

- Width: 870mm
- Depth: 336mm

Product Code:

- **Melodie 900 SS:**
90cm Integrated Cooker Hood
Stainless Steel

Optional Extras:

- Carbon Filters [5403008]
RRP: R925,00
- Flexible Ducting

Performance:

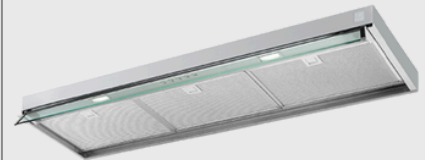
	MIN	AVG	MAX	INT
Extraction Rate (m³/hr)	280	410	590	710
Pressure (PA)	450	510	550	560
Watts (W)	150	200	240	250
Noise Level (DB(A))	46	54	62	65

Easy Installation:

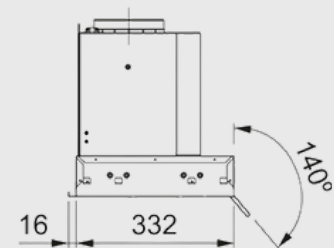
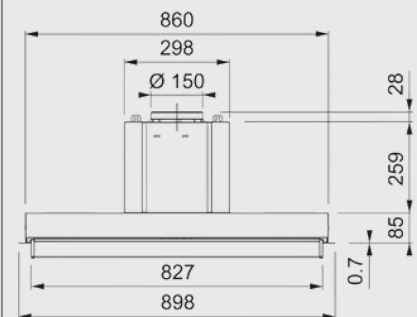


This unit fits into the cabinet. Simply remove the grease filters of the unit to attach the hood.

Available in S/Steel:



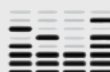
Technical Drawing:



Price:
RRP. R13 495,00



FUNCTION
BOOSTER



SOUND PRO



ENERGY RATING

Comete | Integrated Cooker Hood Stainless Steel



Features:

- Ceiling Mount Cooker Hood
- Stainless Steel
- Nominal Extraction Rate: 750m³/hr
- Extraction Pressure: 552Pa
- Dishwasher Safe Metallic Grease Filters
- Lighting: 4 x 5W Globes
- Remote Control Included
- Outlet: 150mm
- 8 Speed Settings: Variable Control
- Comete 1000: 2x Grease Filters Incl.
- Comete 1200: 3x Grease Filters Incl.
- Adjustable Outlet: 0°-90° - 180°-270°
- 3 Year Warranty on Electrical Components
- Recommended Installation Height From Counter Top: 1550mm

High Performance Carbon Filters:



Efficient and economical filters that are dishwasher safe and self-regenerating. Lifespan of 3 years.

Product Code:

- **Comete 1000 XS:**
1m Integrated Cooker Hood Stainless Steel
- **Comete 1200 XS:**
1.2m Integrated Cooker Hood Stainless Steel

Performance:

	MIN	AVG	MAX	INT
Extraction Rate (m³/hr)	219	441	606	750
Pressure (PA)	140	450	535	552
Watts (W)	75	120	217	270
Noise Level (DB(A))	43	52	59	64

Optional Extras:

- Carbon Filters For Recirculation
 - 2x For Comete 1000 [6403026]
 - 3x For Comete 1200 [6403026]
 - RRP: R1495,00 per filter
- Flexible Ducting

Saturation Indication Light:



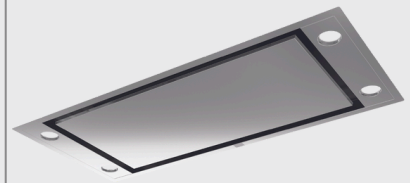
An indicator lights up when the grease filters should be cleaned / carbon filters should be changed.

Peripheral Suction:

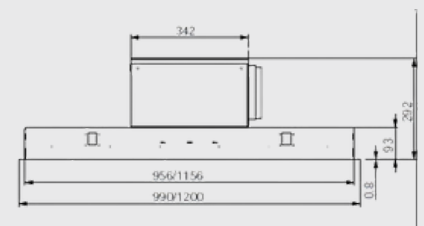


The solid control panel over the grease filters allows for better suction of smoke and odours.

Available in S/Steel:



Technical Drawing:



Dimensions:

	Width	Depth	Height
Comete 1000:	990	440	292
Comete 1200:	1200	450	292

Cutout Dimensions:

	Width	Depth	Height
Comete 1000:	965	410	300
Comete 1200:	1165	410	300



Comete 1000 XS:
RRP. R26 995,00

Comete 1200 XS:
RRP. R28 995,00

