



By appointment to The Royal Danish Court

morso

since 1853



Morsø 8643

8643

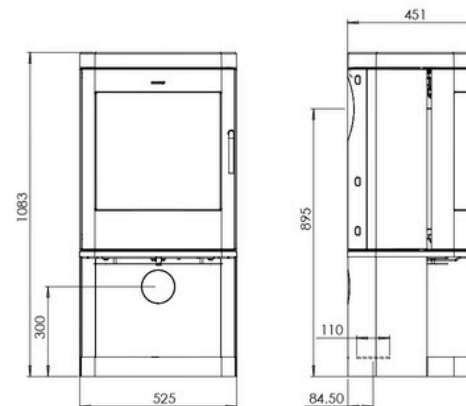
The new in-house designed **Morsø 8643** will be one of the most powerful Morsø stoves ever. With a high performance output and a log length of 42 cm, combined with the sublime combustion technique from the 6100- and 8100-series, this trusty source of comfort will

spread warmth time and again. Although its size, the Morsø 8643 appears light and timeless with its clean and simple design. This guarantees you a classic and beautiful stove that will last for decades. The stove's very large glass area provides a feeling of watching an open fire.



Morsø 8643

Morsø 8643



EN 13240 approved and Ecodesign2022 compliant.

Rated output 8,9 kW
 Log length. 38 cm
 Weight 150 kg
 Efficiency net/gross: 75% / 68,25%
 12 mm hearth compliant

Flue outlet, rear and top option internal Ø. 150 mm

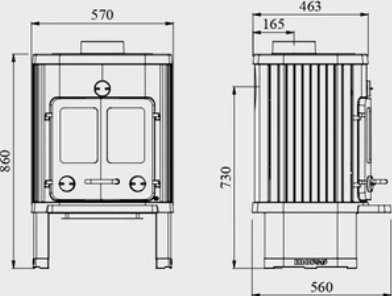
Clearance to Combustibles
 Top 500 mm
 Sides 600 mm
 Rear. 225 mm
 Soft Furniture. 1150 mm

Outside Air Kit available.

1126



Morsø 1126
Item-no.: 64260621



Tested after EN 13240	A⁺
Rated output	7,8 kW
Draft	12 Pa
Operating output	5-10 kW
Heats up	75-150 m ²
Flue exit top/rear fits	Ø 150 mm
Weight	133 kg
Chamber width	39 cm
Efficiency	80,7%
Dust	35 mg/m ³
CO	0,08%

Clearance to Combustibles	
Rear	300 mm
Sides	400 mm



Morsø 1126 – one of Morsø's most popular woodburning stoves – is a further development of the Morsø 1124. Even now, a quarter of a century after it was launched, Morsø 1126 still remains a highly attractive stove. This is particularly due to its unique design and considerable performance capability. The stove is a large and efficient convection stove that, without problems, can heat up an area of 150 m².

Morsø 1126
Item-no.: 64260721



Morsø 3116

3100 BADGER SERIES

The **Morsø 3100 series** incorporates the best from the classic Morsø design, but takes advantage of the latest combustion principles. Efficient and environmentally friendly multi-fuel stoves The Morsø 3116 is equipped with riddling grate and ashpan, making it easy to remove ash

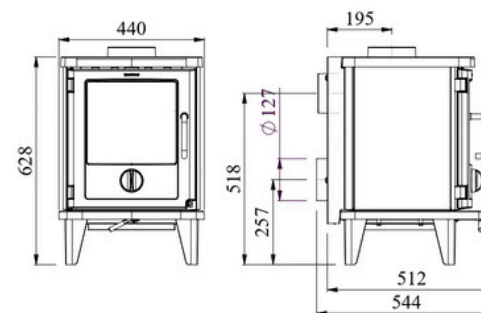
and clean the stove. It is manufactured using the latest combustion principles with tertiary air supply and meet the most stringent environmental requirements. It can be fired with wood, briquettes or approved smokeless fuel and is suitable for heating areas of up to 75 cubic metres.

NEW



Morsø 3116
Item-no.: 64311821

Morsø 3116



EN 13240 and Ecodesign2022 compliant.

A+

Rated output	5 kW
Log length	32 cm
Weight	94,5-109,5 kg
Efficiency net/gross	81/73,7%
12 mm hearth compliant	

Flue outlet, rear and top option internal Ø. 125 mm

Clearance to Combustibles

Top	500 mm
Sides	600 mm
Rear	200 mm
Soft Furniture	800 mm

Optional outside air kit available.
(to use stove as woodburner only)



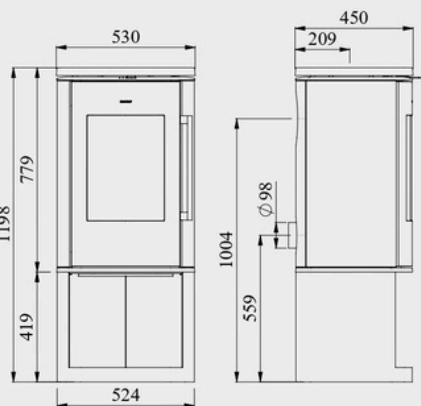
8800 SERIES



Morsø 8840
Item-no.: 64880821



Morsø 8893
Item-no.: 64881221



Tested after EN 13240

A

Rated output	6,3 kW
Draft	12 Pa
Operating output	3-8 kW
Heats up	45-120 m ²
Flue exit top/rear fits	Ø 150 mm
Weight	190-200 kg
Chamber width	35 cm
Efficiency	81%
Dust	23 mg/m ³
CO	0,07%

Clearance to Combustibles

Rear	150 mm
Sides	500 mm

The 8800 series is prepared for external air from rear and bottom.

Air kit available.

Drawings with measurements on the other models in this series, you will find on www.morsoe.com



The **Morsø 8800** series is one of the most powerful Morsø stoves. Tall and handsome in cast iron, this trusty source of comfort will spread warmth and comfort time and again. The solid cast iron distributes the heat efficiently, and the large firebox can heat areas up to 120 m². Morsø's new 8800 series builds on the principles of the popular 8100 series and has been given a higher top plate. The door handle stays cool during use, and the door is self-closing and easy to operate.

Morsø 8893
Item-no.: 64881221



Ø4

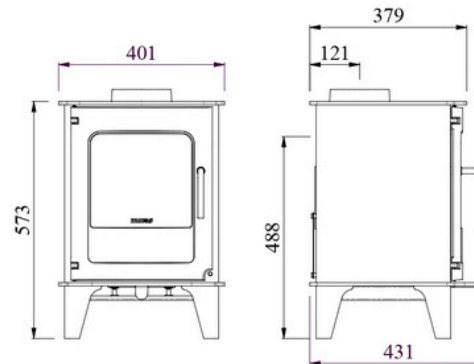
The **Morso Ø4** has been produced to meet the exacting standards of today's modern world. Style and function is the main philosophy behind the design, with special emphasis on simple operation and

environmental impact. The Ø4 captures the contemporary integration of steel and cast iron. The Ø4 uses our state of the art airwash system to allow you perfect viewing of the dancing flames through the large windows.



Morso Ø4
Item-no.: 63000121

Morso Ø4



EN 13240 and Ecodesign2022 compliant.

A⁺

Rated output	5 kW
Log length	28 cm
Weight	83 kg
Efficiency net/gross	81/73.3%
12 mm hearth compliant		

Flue outlet, rear and top option internal Ø. 125 mm

Clearance to Combustibles

Top	500 mm
Sides	550 mm
Rear	650 mm
Soft Furniture	700 mm

Optional outside air kit.



3640



Morsø 3640
Item-no.: 64364021

Tested after EN 13240

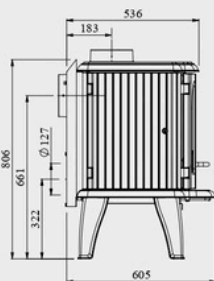
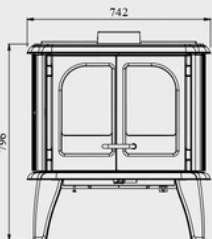
Rated output	9 kW
Draft	12 Pa
Operating output	6-14 kW
Heats up	100-210 m ²
Flue exit top/rear fits	Ø 150 mm
Weight	251 kg
Chamber width	59,5 cm
Efficiency	75,6%
Dust	36 mg/m ³
CO	0,07%

A

Clearance to Combustibles

Rear	200 mm
Sides	400 mm

Drawings with measurements on the other models in this series, you will find on www.morsoe.com



Morsø 3600 radiant stove is a large, well designed heat source perfect when you need to heat a large area. This cast iron stove is designed by the well-known, english design company, Studio Levien. The stove has an additional side door for convenient loading. A classic Morsø design, this cast iron beast will watch over your home like a tame dragon. An optional outside air kit is available for this model.

Morsø 3640
Item-no.: 64364021



Morsø 1010

1010

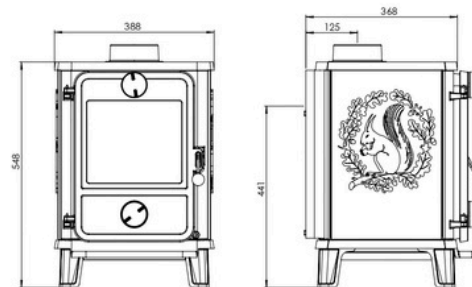
Retaining the well-known Morsø details and straightforward operation, **Morsø 1010** is a well known member of the family of small classic Morsø stoves. Naturally, the delightful atmosphere, that many of us remember as something quite unique

from past campfires, will be provided by the large glass area. Morsø 1010 is carried out entirely in sturdy cast iron – the best imaginable material for woodburning stoves. Combustionwise, Morsø 1010 meets the strictest Danish environmental standards.



Morsø 1010
Item-no: 64101121

Morsø 1010



EN 13240 and Ecodesign2022 compliant

A+

Rated output 5 kW
 Log length 28 cm
 Weight 70,5 kg
 Efficiency net/gross: 76/69%
 12 mm hearth compliant

Flue outlet, rear and top option internal Ø 125 mm

Clearance to Combustibles

Top 500 mm
 Sides 500 mm
 Rear 175 mm
 Soft Furniture 850 mm





8143 Log Storage

Excludes Installation

FEATURES

- Convection system
- Pre-heated combustion air
- Pre-heated secondary air supply
- Ash can
- Airwash system
- Tertiary air
- Riddling grate system
- Removable handle
- Cast iron finish
- Fuel: Wood

GENERAL DATA

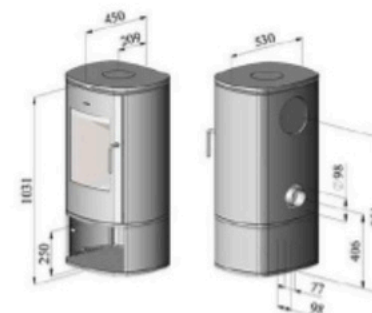
Energy Efficiency Rated.....	A+
Output (kw).....	6,3
Operating Output (kw).....	3-8
Heats (m2).....	45 - 120
Chamber Width (cm).....	35

INSTALLATION DATA

Height (mm).....	1031
Width (mm).....	530
Dept (mm).....	450
Flue outlet top.....	Ø 150
Flue outlet rear.....	Ø 150
Weight (kg).....	152

CLEARANCE TO COMBUSTIBLES

Rear (mm).....	200
Sides (mm).....	500





7948 Pedestal

Excludes Installation

FEATURES

- Convection system
- Pre-heated combustion air
- Pre-heated secondary air supply
- Ash Can
- Airwash system
- Tertiary Air
- Fuel: Wood

GENERAL DATA

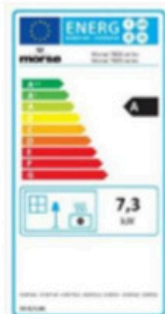
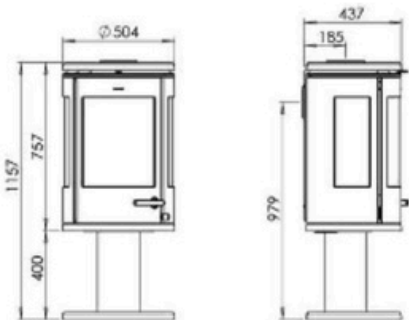
Energy Efficiency Rated	A
Output (kw)	7,3
Heats (m2)	45 - 120
Chamber Width (cm)	33

INSTALLATION DATA

Height (mm)	1157
Width (mm)	504
Dept (mm)	437
Flue outlet top	Ø 150
Flue outlet rear	Ø 150
Weight (kg)	156

CLEARANCE TO COMBUSTIBLES

Rear (mm)	200
Sides (mm)	700



7970 Wall Mounted

Excludes Installation

FEATURES

- Convection system
- Pre-heated combustion air
- Pre-heated secondary air supply
- Ash Can
- Airwash system
- Tertiary Air
- Fuel: Wood

GENERAL DATA

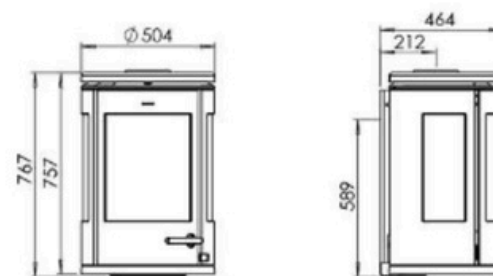
Energy Efficiency Rated	A
Output (kw)	7,3
Operating Output (kw)	3-8
Heats (m2)	45 - 120
Chamber Width (cm)	33

INSTALLATION DATA

Height (mm)	767
Width (mm)	504
Dept (mm)	464
Flue outlet top	Ø 150
Flue outlet rear	Ø 150
Weight (kg)	140

CLEARANCE TO COMBUSTIBLES

Rear (mm)	125
Sides (mm)	700





6140 Low Base



6170 Wall Mounted

Excludes Installation

FEATURES

- Convection system
- Pre-heated combustion air
- Ash Can
- Airwash system
- Tertiary Air
- Fuel: Wood

GENERAL DATA

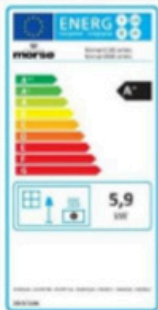
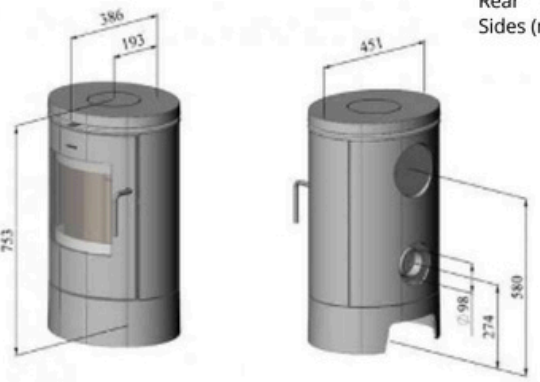
Energy Efficiency Rated	A+
Output (kw).....	5,9
Operating Output (kw).....	3 - 6
Heats (m2).....	45 - 90
Chamber Width (cm).....	30

INSTALLATION DATA

Height (mm).....	753
Width (mm).....	451
Dept (mm).....	386
Flue outlet top.....	Ø 125
Flue outlet rear.....	Ø 125
Weight (kg).....	100

CLEARANCE TO COMBUSTIBLES

Rear (mm).....	200
Sides (mm).....	400



Excludes Installation

FEATURES

- Convection system
- Pre-heated combustion air
- Ash Can
- Airwash system
- Tertiary Air
- Fuel: Wood

GENERAL DATA

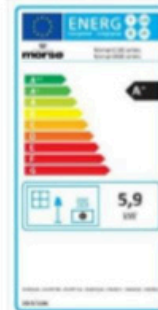
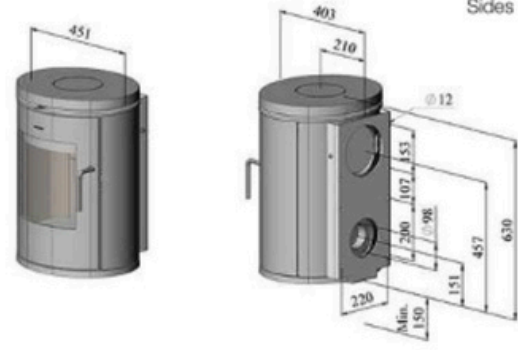
Energy Efficiency Rated	A+
Output (kw)	5,9
Operating Output (kw).....	3-6
Heats (m2).....	45 - 90
Chamber Width (cm)	30

INSTALLATION DATA

Height (mm).....	630
Width (mm).....	451
Dept (mm).....	403
Flue outlet top.....	Ø 120
Flue outlet rear.....	Ø 120
Weight (kg).....	100

CLEARANCE TO COMBUSTIBLES

Rear (mm)	150
Sides (mm).....	400





5660 Insert

By appointment to The Royal Danish Court
morso
 since 1853

Excludes Installation

FEATURES

- Convection system
- Pre-heated combustion air
- Ash Can
- Airwash system
- Tertiary Air
- Riddling grate system
- Removable handle
- Fuel: Wood

GENERAL DATA

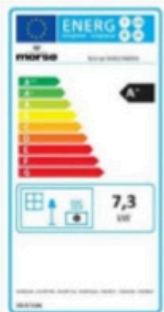
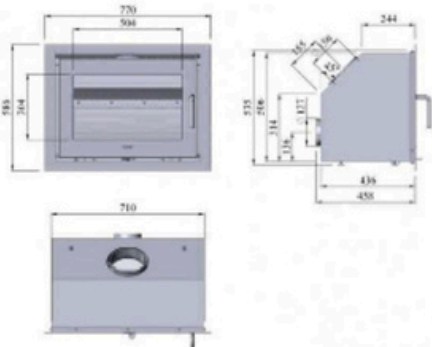
Energy Efficiency Rated	A+
Output (kw).....	7,3
Operating Output (kw).....	4-8
Heats (m2).....	60 - 120
Chamber Width (cm).....	58

INSTALLATION DATA

Height (mm).....	586
Width (mm).....	770
Dept (mm).....	436
Flue outlet top.....	Ø 150
Flue outlet rear.....	Ø 150
Weight (kg).....	125

CLEARANCE TO COMBUSTIBLES

Rear (mm).....	100
Sides (mm).....	400



2110

By appointment to The Royal Danish Court
morso
 since 1853

Excludes Installation

FEATURES

- Radiant Heat
- Pre-heated combustion air
- Pre-heated secondary air supply
- Ash Can
- Riddling grate system
- Fuel: Multifuel

GENERAL DATA

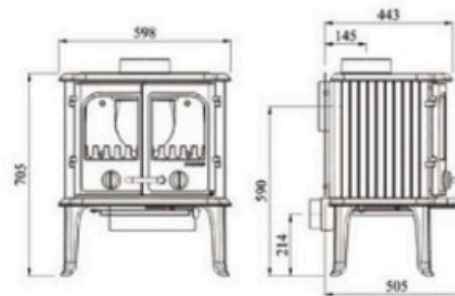
Energy Efficiency Rated	A
Output (kw).....	8
Operating Output (kw).....	4 - 8
Heats (m2).....	60 - 120
Chamber Width (cm).....	40

INSTALLATION DATA

Height (mm).....	705
Width (mm).....	598
Dept (mm).....	505
Flue outlet top.....	Ø 150
Flue outlet rear.....	Ø 150
Weight (kg).....	120

CLEARANCE TO COMBUSTIBLES

Rear (mm).....	200
Sides (mm).....	550

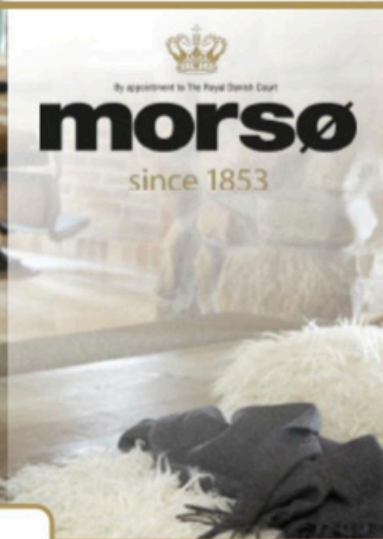




1630



1412 Squirrel



Excludes Installation

FEATURES

- Radiant Heat
- Airwash system
- Riddling grate system
- Primary air supply
- Secondary air supply
- Fuel: Multifuel

GENERAL DATA

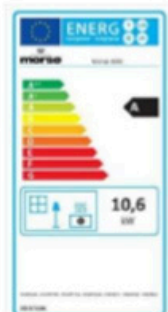
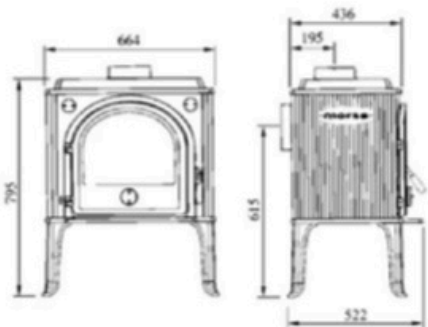
Energy Efficiency Rated	A+
Output (kw).....	10,6
Operating Output (kw).....	7 - 11
Heats (m2).....	100 - 165

INSTALLATION DATA

Height (mm).....	795
Width (mm).....	664
Dept (mm).....	522
Flue outlet top.....	Ø 150
Flue outlet rear.....	Ø 150
Weight (kg).....	135

CLEARANCE TO COMBUSTIBLES

Rear (mm).....	200
Sides (mm).....	600



Excludes Installation

FEATURES

- Radiant Heat
- Ash Can
- Airwash system
- Riddling grate system
- Primary air supply
- Secondary air supply
- Fuel: Multifuel

GENERAL DATA

Energy Efficiency Rated	A+
Output (kw).....	5,3
Operating Output (kw).....	3 - 5
Heats (m2).....	45 - 75
Chamber Width (cm).....	28

INSTALLATION DATA

Height (mm).....	703
Width (mm).....	388
Dept (mm).....	438
Flue outlet top.....	Ø 125
Flue outlet rear.....	Ø 125
Weight (kg).....	70

CLEARANCE TO COMBUSTIBLES

Rear (mm).....	200
Sides (mm).....	600

