

LUXE

CATALOGUE

LUXE APPLIANCES CATALOGUE 2026



QUALITY MEETS AFFORDABILITY.

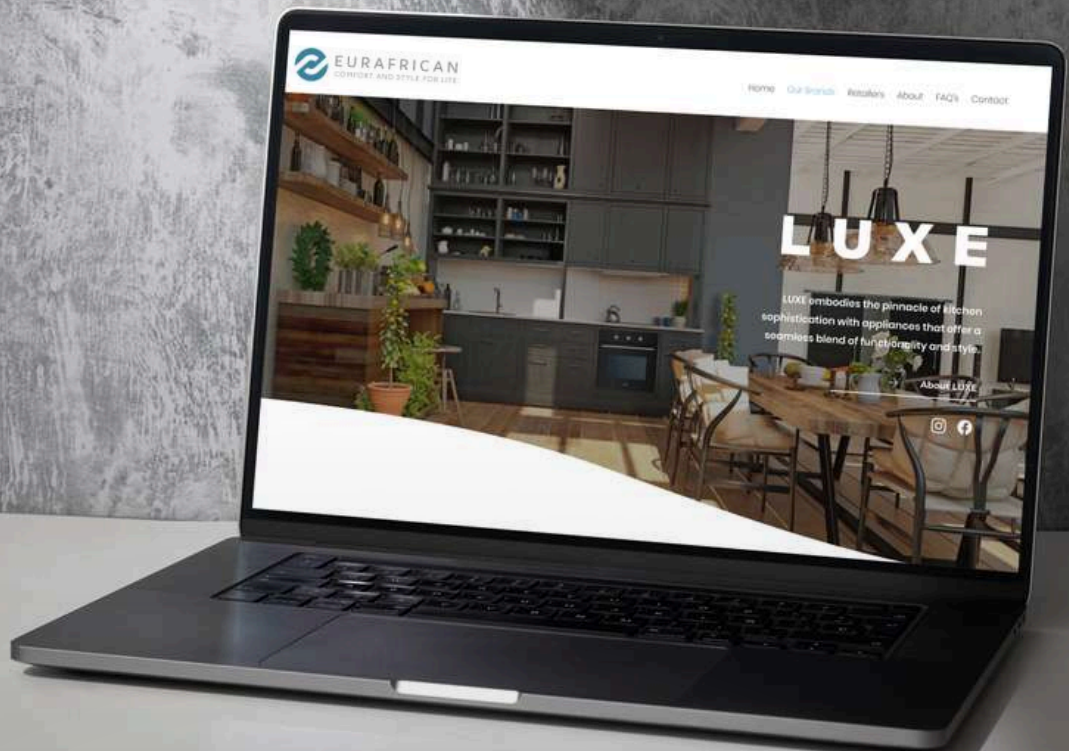
ABOUT US

LUXE embodies the pinnacle of kitchen sophistication with appliances that offer a seamless blend of quality and affordability. For the discerning homeowner who desires the extraordinary, LUXE is the signature of kitchen opulence, transforming everyday routines into experiences of luxury.

LUXE turns the act of cooking into a luxurious escapade, where the kitchen becomes a gallery displaying the art of the culinary craftsman.

The reflective surfaces, intuitive interfaces, and unparalleled performance of LUXE appliances serve not only as the backdrop for creating extraordinary meals but also as a testament to your commitment to excellence.

In a world where kitchens are the new living rooms, LUXE stands as a symbol of sophistication, an emblem of an aspirational lifestyle where every meal is a celebration of the senses.



QUALITY MEETS AFFORDABILITY.

SS30 | 30cm 2 Burner Stainless Steel Hob



Features:

30 cm stainless steel built-in hob

2 gas burners

Front 1000W

Rear 3300W

Flame failure device (FFD)

One handed electronic ignition

Cast iron pot rests

Chrome coated knobs

Built in feet for free-standing option

Also available with battery ignition.

Product Dimensions:

Length: 510mm

Width: 310mm

Depth: 30mm

Cut out dimensions 475 x 265

Product Codes:

- **SS30:**
30cm 2 Burner Stainless Steel Hob
- **SS30B:**
30cm 2 Burner Stainless Steel Hob
With Battery Ignition



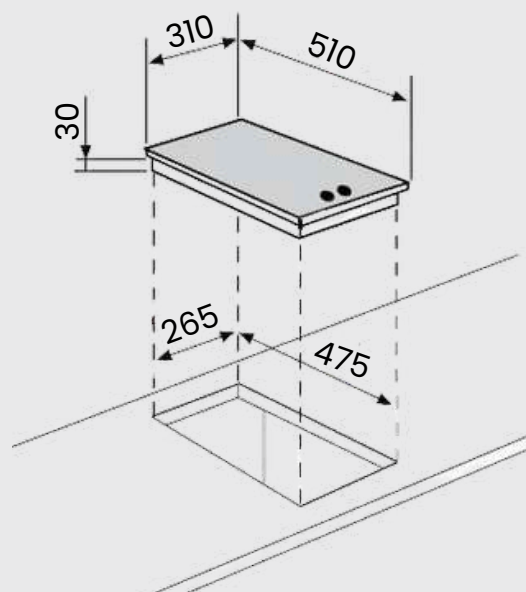
SS30:
RRP. R2495,00

SS30B:
RRP. R2495,00

Available in Stainless Steel:



Technical Drawing:



BL30 | 30cm 2 Burner Gas On Glass Hob



Features:

30cm gas on glass built-in hob

2 gas burners

Front 1000W

Rear 3300W

Flame failure device (FFD)

One handed electronic ignition

Cast iron pot rests

Chrome coated knobs

Built in feet for free-standing

option

Screen printed markings

underneath the glass which will not

rub off during cleaning

Product Dimensions:

Length: 520mm

Width: 300mm

Depth: 30mm

Cut out dimensions: 475 x 280

Product Codes:

- BL30:
30cm 2 Burner Gas On Glass Hob

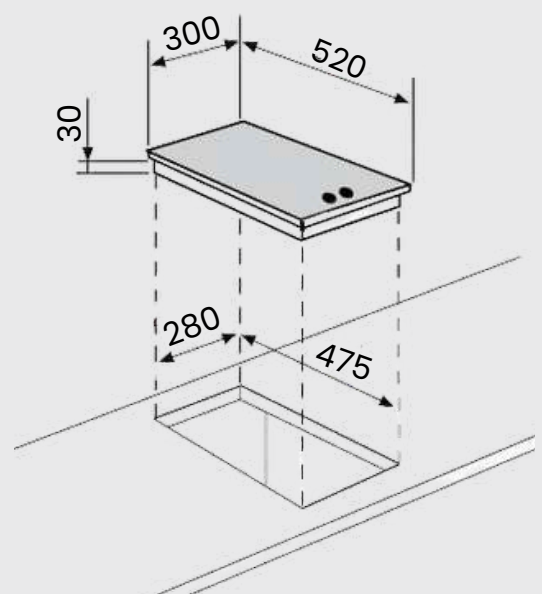


Price:
RRP. R2595,00

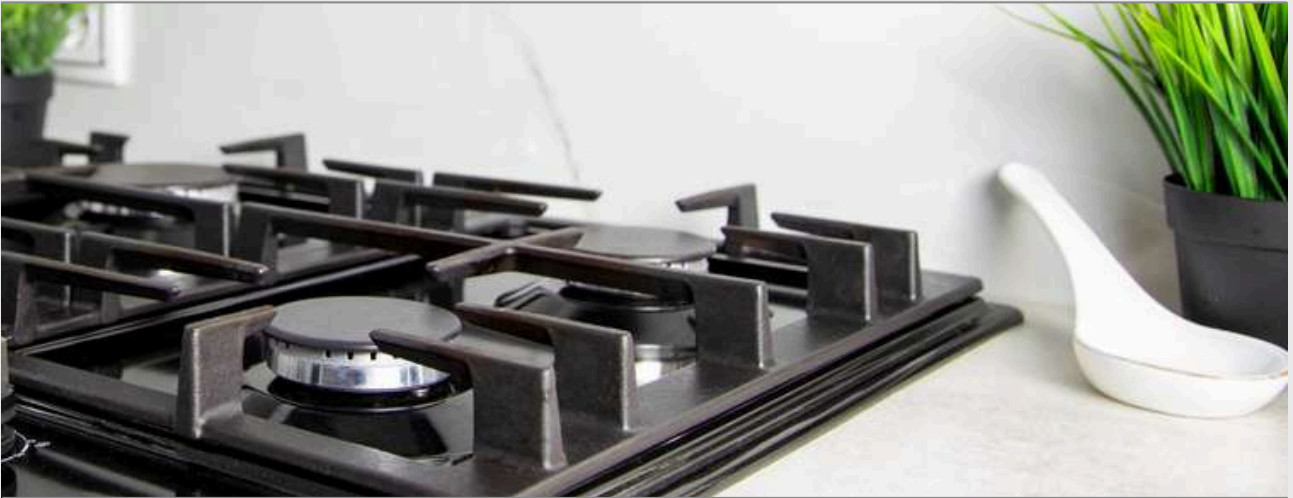
Available in Black:



Technical Drawing:



BL60 | 60cm 4 Burner Gas On Glass Hob



Features:

- 60cm Black Ceramic Glass
- Built-In Hob
- 4 gas burners
- Front left: 1100W
- Rear left: 3300W
- Front right: 1750W
- Rear right: 1750W
- Flame failure device (FFD)
- One handed electronic ignition
- Chrome coated knobs
- Cast iron pot rests
- Built-in feet for free-standing option
- Screen printed markings beneath the glass which will not rub off during cleaning

Product Dimensions:

- Overall - 600 x 520
- Cut Out - 560 x 480

Product Codes:

- BL60:
60cm 4 Burner Gas On Glass Hob

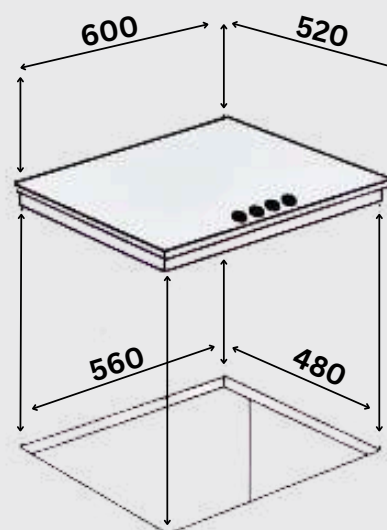


Price:
RRP. R3995,00

Available in Black:



Technical Drawing:



SS60 | 60cm 4 Burner Stainless Steel Hob



Features:

60 cm stainless steel built-in hob

4 gas burners

Front left: 1750W

Rear left: 3300W

Front right: 1000W

Rear right: 1750W

Flame failure device (FFD)

One handed electronic ignition

Cast iron pot rests

Chrome coated knobs

Built in feet for free-standing option

Also available with battery ignition.

Product Dimensions:

• Assembled:

Overall - 585 x 505

Cut Out - 560 x 480

Product Codes:

• **SS60:**
60cm 4 Burner Stainless Steel Hob

• **SS60B:**
60cm 4 Burner Stainless Steel Hob
With Battery Ignition

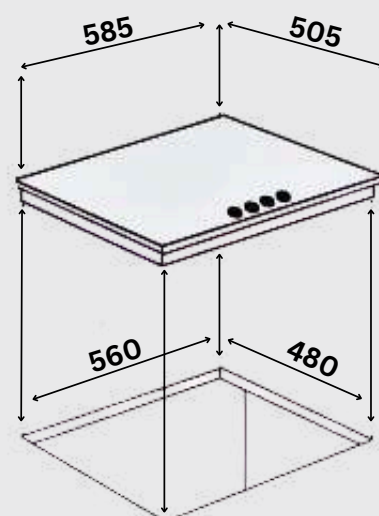


SS60:
RRP. R3895,00
SS60B:
RRP. R3895,00

Available in Stainless Steel:



Technical Drawing:



BS-60-B1 | 60cm Black Enamel Hob & Battery Ignition



Features:

- 60 cm Black Enamel built-in hob
- Ignition is battery operated
- One handed ignition
- 4 gas burners
- Front left: 1750W
- Rear left: 3300W
- Front right: 1000W
- Rear right: 1750W
- Flame failure device (FFD)
- Cast iron pot rests
- Chrome coated knobs
- Built in feet for free-standing option

Product Dimensions:

• Assembled:

Overall - 585 x 505

Cut Out - 560 x 480

Product Codes:

- BS-60 -B1:
60cm 4 Burner Black Enamel hob

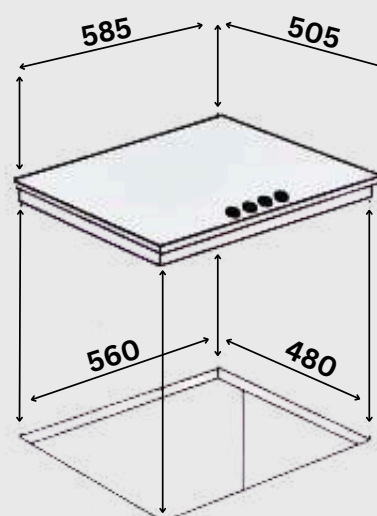


BS-60-B1
RRP. R3295,00

Available in Black Enamel:



Technical Drawing:



BL90 | 90cm Gas On Glass Built In Hob



Features:

90 cm gas on glass built-in hob

5 gas burners

Front left: 1750W

Rear left: 1750W

Centre wok burner: 3300W

Front right: 1000W

Rear right: 2700W

Flame failure device (FFD)

One handed electronic ignition

Cast iron pot rests

Chrome coated knobs

Built in feet for free-standing option

Screen printed markings beneath the glass which will not rub off during cleaning.

Product Dimensions:

• Assembled:

Overall - 870 x 520

Cut Out - 830 x 470

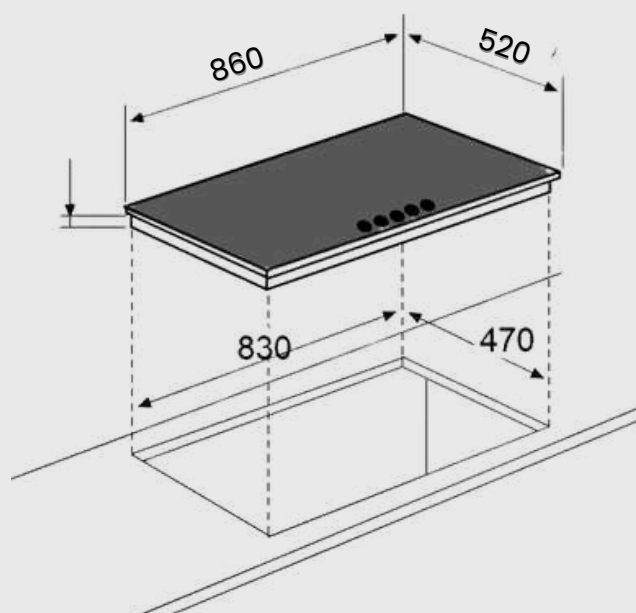


Price:
RRP. R5295,00

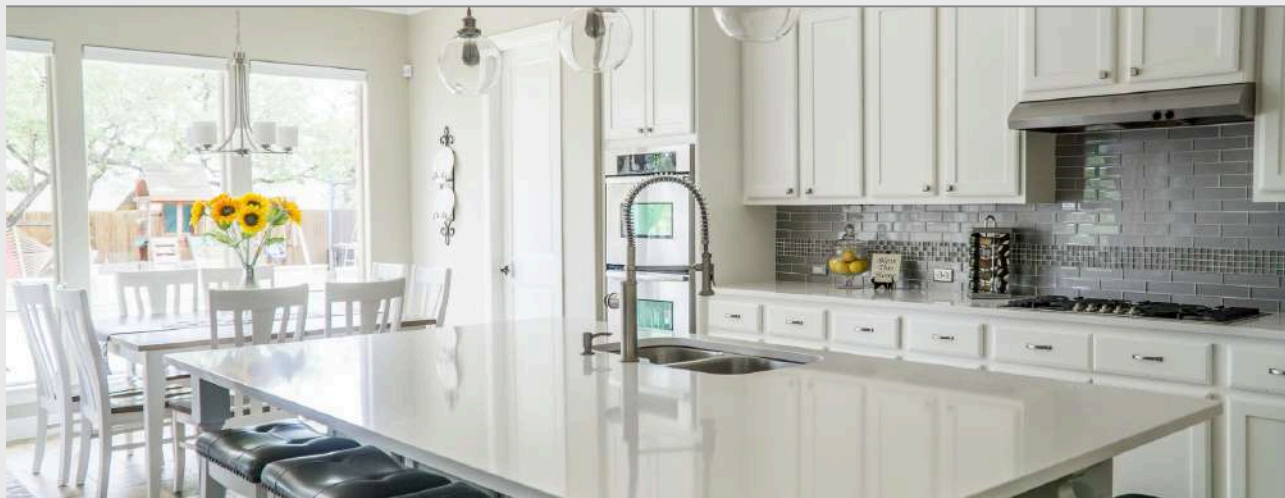
Available in Black:



Technical Drawing:



SS90 | 90cm Stainless Steel Built In Hob



Features:

90cm stainless steel built-in hob

5 gas burners

Front left: 1750W

Rear left: 2700W

Centre wok burner: 3300W

Front right: 1000W

Rear right: 1750W

Flame failure device (FFD)

One handed electronic ignition

Cast iron pot rests

Chrome coated knobs

Built in feet for free-standing option

Product Dimensions:

• Assembled:

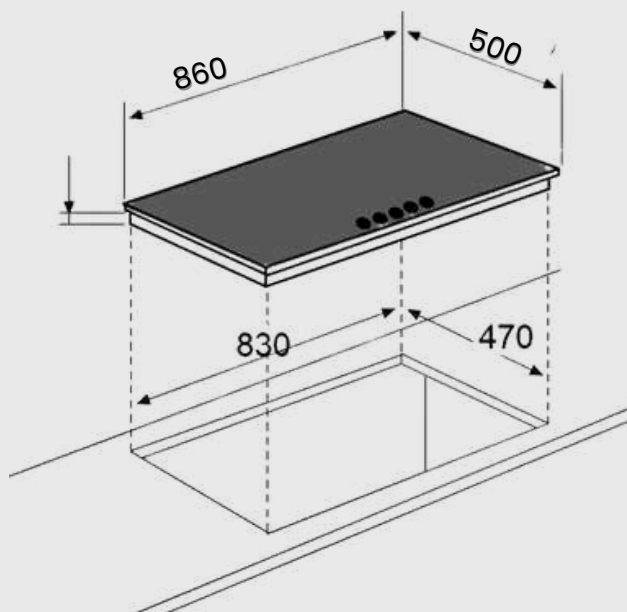
Overall - 860 x 500

Cut Out - 830 x 470

Available in Stainless Steel:



Technical Drawing:



Price:
RRP. R4975,00

AM7006 | 60cm Electric Oven 70Lt



Features:

- 6 function multi function oven
- A class energy efficiency
- Temperature range – 50-250°C
- Timer – 120min + stay on position
- Double glass layered door
- 1x Wire rack included
- 1x Drip tray included
- Cooling fan
- Height of control panel – 120mm
- Weight: 35kg

Product Dimensions:

• Assembled:

Overall: 595(w) x 595(h) x 565(d)

Cut Out: 565(w) x 585(h) x 555(d)

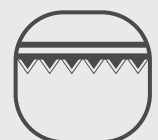
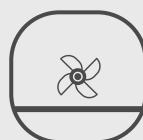
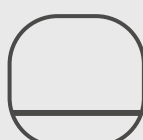
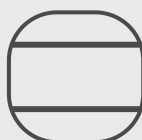
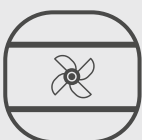
Product Code:

- AM7006:
60cm Electric Oven 70Lt



Price:
RRP. R6475,00

Available in Black:



GB-67RC | 60cm Gas Oven 70Lt



Features:

- Full Gas Oven
- A class energy efficiency
- Temperature range: 130-250°C
- Timer – 0 - 55min
- Double glass layered door
- 1x Wire rack included
- 1x Drip tray included
- Cooling fan
- Rotisserie / Turnspit
- Height of control panel – 120mm
- 2 Year warranty

Product Dimensions:

• Assembled:

- Overall: 595(w) x 595(h) x 569(d)
- Cut Out: 558(w) x 585(h) x 555(d)

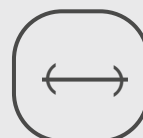
Product Code:

- GB-67RC:
60cm Gas Oven 70Lt



Price:
RRP. R8995,00

Available in Black:



ID-01 | 60cm Slimline Cooker Hood Black



Features:

- 400m³/h extraction rate
- Noise level: 55dBa
- Front push button controls
- 4 Layer aluminium grease filters
- Grease filters are dishwasher safe
- Voltage & Frequency: 220-240/50
- Lighting: 1 x 3 watt LED Strip
- Satin black

Included:

- Charcoal Filters for recirculation
- Butterfly

Extraction Rate:

These Cooker Hoods go beyond the norm, boasting an impressive 400m³/h airflow. It is also worth noting that the noise level of 55dBa is equivalent to the sound of a household fridge. Enjoy optimal ventilation without disruptions, setting it apart from conventional cooker hoods rated at 60-70dBa.

Conscious Choice:

The size and capacity of the extraction should match the specific requirements of your kitchen. The hoods extraction is measured in cubic meters for the air renovation. The optimal recommendation is to achieve 12 renewals per hour, aligned with your kitchen's volume:

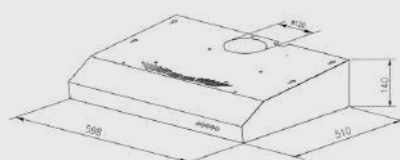
Kitchen volume = width x depth x height

Example: 3 m x 3 m x 2,5 m = 22,5 m³

12 Renovations per hour

Example: 12 x 22,5 m³ = 270 m³

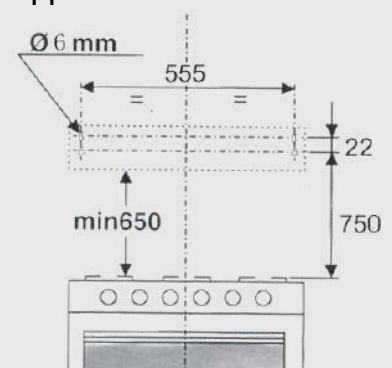
Technical Drawing:



Available Colours:



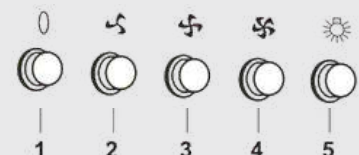
Appliance Position:



ID - 01 Price:
RRP. R1395,00

Push Button Controls

1. Press this button to turn the appliance on/off.
2. Press this button to operate in low speed.
3. Press this button to operate in middle speed.
4. Press this button to operate in high speed.
5. Press this button to turn the lamps on.



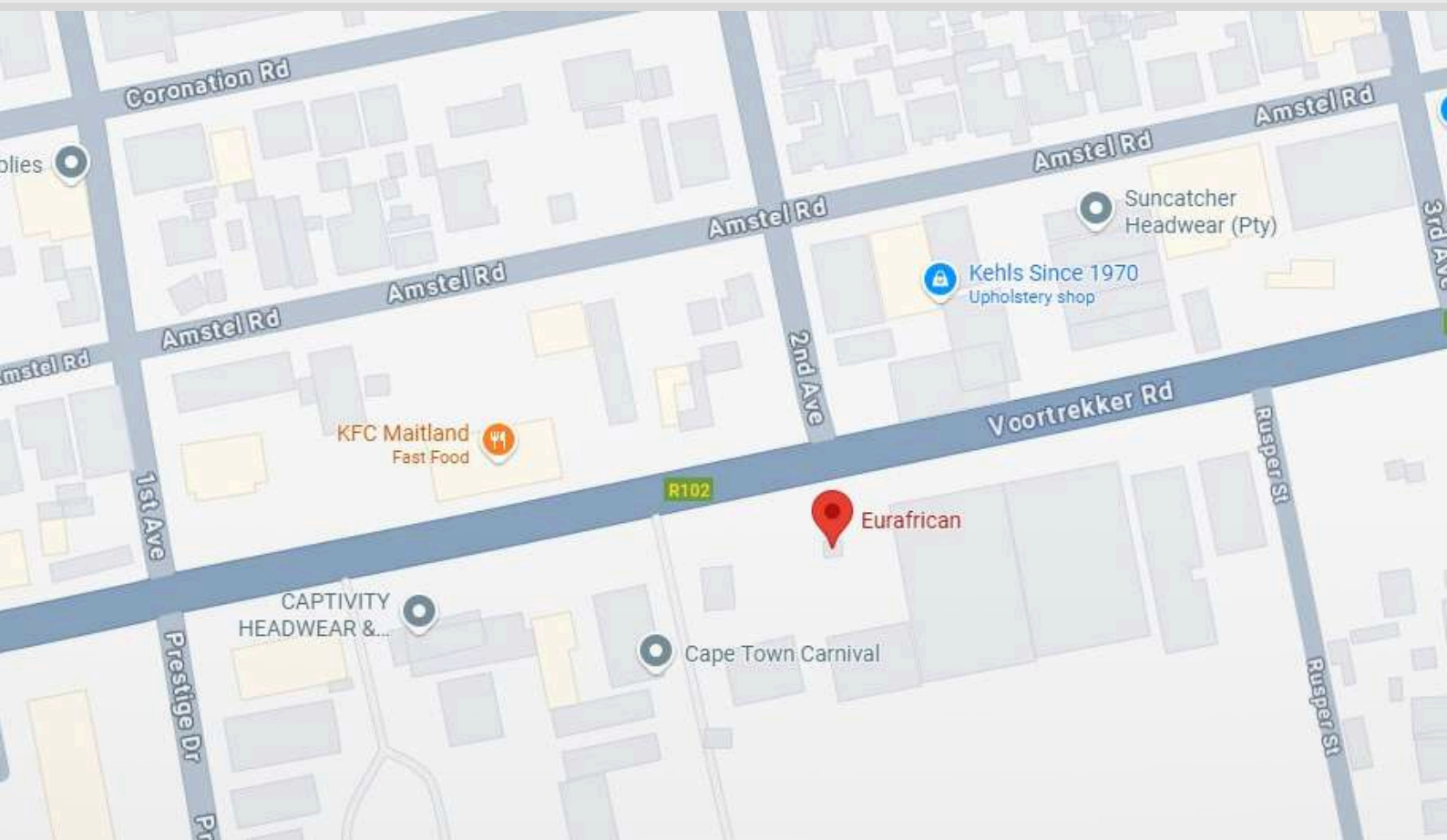
CONTACT US

Contact us today to learn more about our exceptional home appliances.
We provide distribution services across South Africa.

Visit our showroom at:
416 Voortrekker Road, Maitland, Cape Town, 7405

Email info@eurafrikan.co.za

Cape Town Landline: [021 511 3925](tel:0215113925)
Johannesburg Landline: [011 791 1135](tel:0117911135)



QUALITY MEETS AFFORDABILITY.